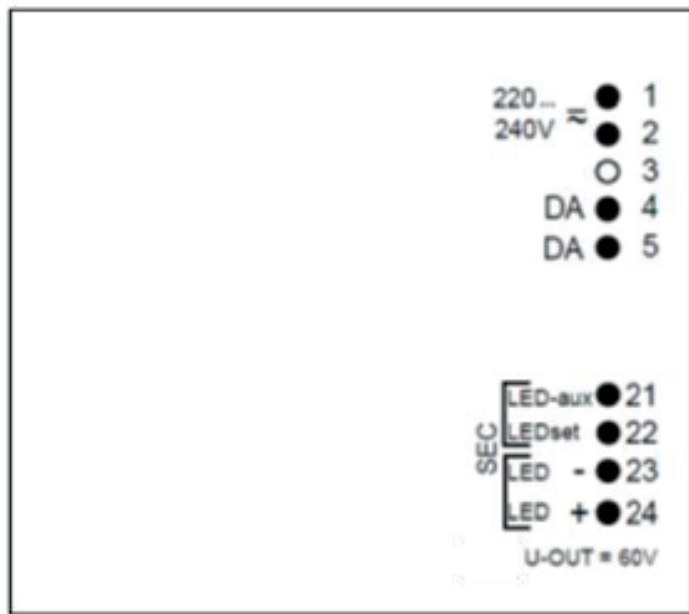
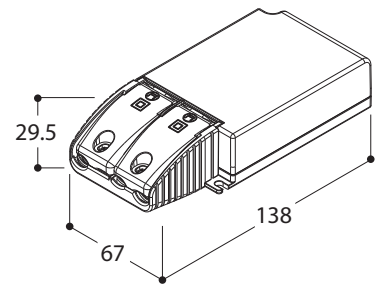


| | |
|------|--|
| ref | 930582 |
| name | POWERLED REMOTE CONVERTER (35W) TOUCH DALI DIM 700mA |



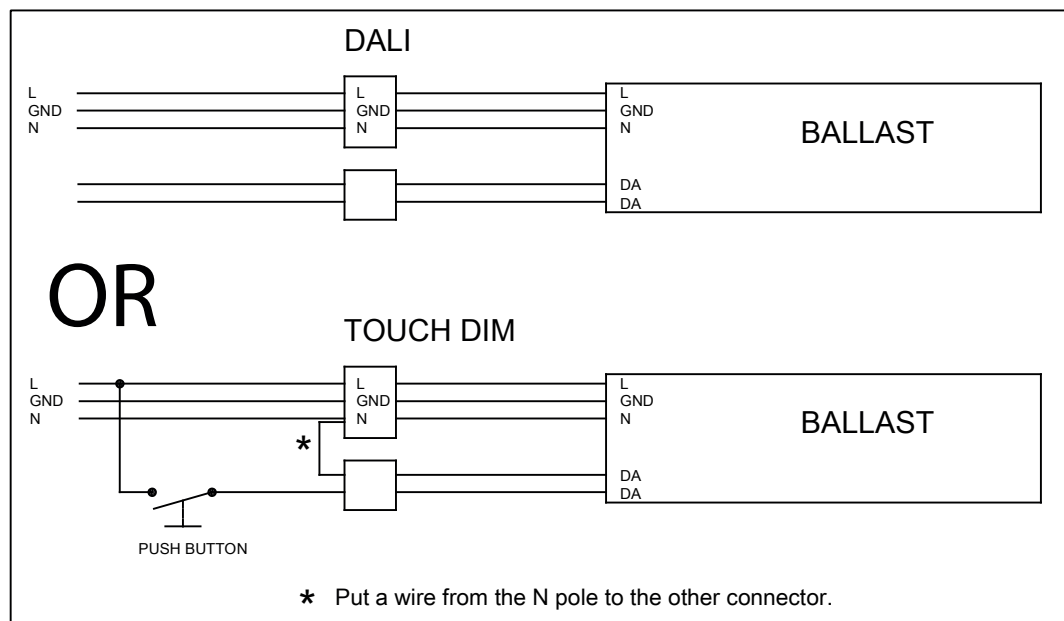
Wiring Diagram

Input
 Gray 1 - Mains
 Gray 2 - Mains
 RED 4 - DALI
 RED 5 - DALI

Output
 Black 21 - LED- aux
 White 22 - LEDset
 Black 23 - LED -
 Red 24 - LED +

Load wires length: 2m max.

- Wires cross section: massive leads 0,2-1,5 mm² / flexible leads 0,2 – 1,5 mm²
- Wire peeling length: 8-9 mm



Electrical Specifications

| Item | Value | Unit | Remarks | |
|--------------------------------|--|-------------------|------------------|--|
| INPUT | Nominal voltage | 220 – 240 | V | |
| | Nominal frequency | 0 / 50 / 60 | Hz | Incl. DC or pulse DC |
| | AC voltage range | 198 – 264 | V | |
| | DC voltage range | 176 – 276 | V | DC or pulse DC |
| | Maximum voltage | 280 | Vac | 2 h maximum, unit might not operate in this abnormal condition |
| | Nominal current | 0.18 | A | |
| | Total Harmonic Distortion (THD) | < 10 | % | Full load, 220 – 240 V, 50 Hz / see graphs |
| | Power factor | > 0.95 | | Full load, 220 – 240 V, 50 Hz / see graphs |
| | Efficiency | typical 86% | % | Full load, 220 – 240 V, 50 Hz / see graphs |
| | Power losses | 5.7 | W | Maximum, full load |
| | No-load power | n/a | W | Load switching on output side is safe but not permitted |
| | Stand-by power | < 350 | mW | |
| | Protection class | II | | Suitable for class I and II luminaires |
| Inrush current | < 20 | A pk | Max, Th < 100 µs | |
| Max. units per circuit breaker | B16: 55; B10: 33 | | | |
| OUTPUT | Nominal voltage range | 22-54Vf | | |
| | Maximum voltage | 60 | V | No load protection, restart trials every 1-3 s |
| | Nominal current range | 700mA | mA | |
| | Current accuracy | +/- 5 | % | Digital programming. +/- 5% through the LEDset interface. |
| | Current ripple | < 2 | % | Ripple / average @ 100 Hz; Full load |
| | Nominal power range | 15 – 35 | W | |
| ENVIRONMENT | Maximum power | 35 | W | LED output |
| | Galvanic isolation | SELV equivalent | | Output to earth - Touch current < 0.7 mA |
| DIMMING | Dimming control | yes | | DALI, TouchDIM |
| | Dimming range | 1 – 100 | % | Of selected nominal current |
| | Dimming technique | mixed | | AM (>260mA) + PWM (<260mA) |
| | PWM frequency | > 280 | Hz | |
| | Galvanic isolation | basic / double | | Basic DALI to Primary / Double DALI to Secondary |
| ENVIRONMENT | Ambient temperature range t _a | -20 ... +50 | °C | |
| | Maximum case temperature t _c | 75 | °C | Measured on t _c point indicated of the product label, t _a not exceeded |
| | Max. case temp. in fault condition | 110 | °C | |
| | Storage temperature range | -25 ... +85 | °C | |
| | Relative humidity | 5 ... 85 | % | Not condensing |
| | Surge transient protection | 1 | kV | L/N acc to. EN 61547 |
| | Environmental rating | Indoor | | |
| | IP rating | IP 20 | | |
| | Mains switching cycles | > 100'000 | | |
| | Expected lifetime | 50'000 100'000 | h | t _c = 75°C, 0.2% / 1'000 h failure rate t _c = 65°C, 0.1% / 1'000 h failure rate |



ALWAYS DISCONNECT MAINS POWER SUPPLY FROM CONVERTER BEFORE SWITCHING "ON" LED LUMINAIRES TO PREVENT HOT PLUGGING ISSUES